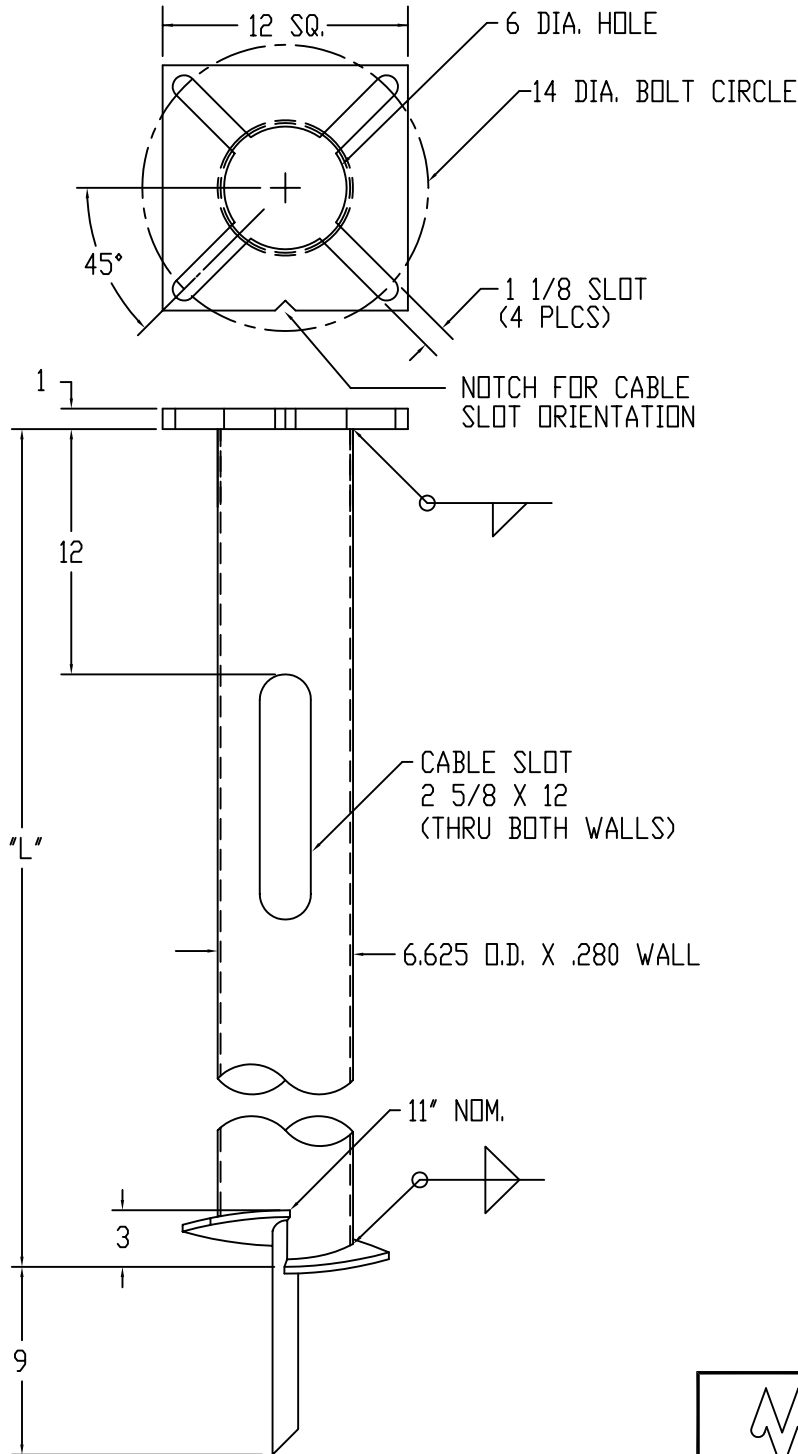


REVISIONS

NO.	DATE	DESCRIPTION	BY	CKD



CATALOG NUMBER	LENGTH (FT)
D06060BBB08148V	5
D06072BBB08148V	6
D06084BBB08148V	7

NOTES:

1. FINISH: HOT DIP GALVANIZE PER ASTM A153
2. INSTALLATION TORQUE RATING: 10,000 FT/LBS.
3. HARDWARE KIT CONSISTS OF 4 EA OF THE FOLLOWING, BAGGED AND SECURE TO PIPE SHAFT.
 1" x 4" CARRIAGE BOLTS
 1" FLATWASHER
 1" HEX NUT



MACLEAN DIXIE, LLC.

A MACLEAN POWER SYSTEMS COMPANY

1500 RED HOLLOW RD.

BIRMINGHAM, ALABAMA 35215

FOUNDATION ANCHOR
 6" PIPE W/ 12" SQ. TOP PLATE

All information contained in this disclosure whether patentable or otherwise comprises proprietary information of MacLean Dixie, LLC. and its unauthorized use or publication without the express written consent of MacLean Dixie, LLC. is strictly prohibited.

DATE: 09/24/08	SCALE: FULL	NO. A-2517	R/0	SH. 1 OF 1
DWN. BY: MW	CKD. BY:	APR. BY:		